



OMNI-DIRECTIONAL SOLUTIONS SINCE 1909

9241 OMNITRACK
HIGH CAPACITY
BALL TRANSFER UNIT
REVISION # 02

4 HOLES \varnothing 8.1 [0.319]
C'SUNK \varnothing 16 [0.630] @ 90° INCL

Available Material Options

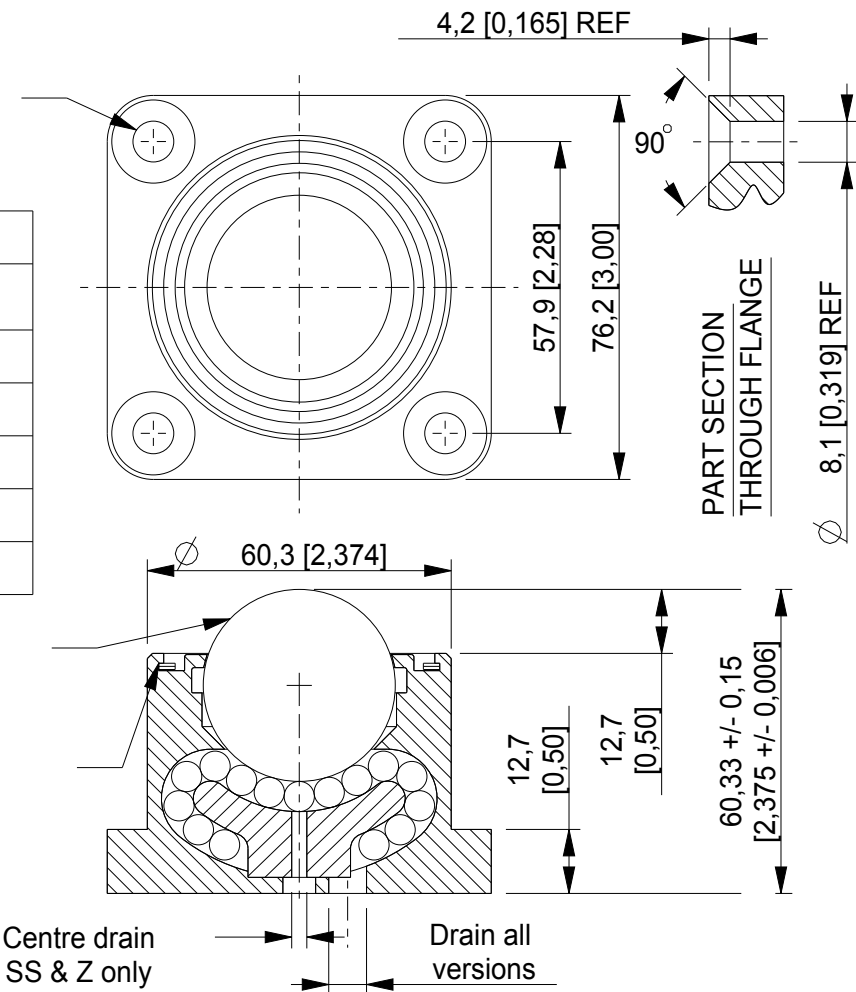
Part #	Load Bearing Internal Materials	Ball Material	Casing Material & Finish
9241	AISI 52100	AISI 52100	AISI 1012 ZINC/ELECTROPHORETIC (BLACK)
9241 A	AISI 52100	AISI 440	AISI 1012 ZINC/ELECTROPHORETIC (BLACK)
9241 Z	AISI 440	AISI 440	AISI 1012 ELECTROPHORETIC (BLACK)
9241 SS	AISI 440	AISI 440	AISI 304 - NATURAL
9241 PB	PHENOLIC RESIN MAIN BALL OPTION AVAILABLE FOR ALL MATERIAL OPTIONS - 35 Kg		

~ Operating temperature -20° C + 125° C (continuous)

\varnothing 38.1 [1.5]

Removable & reusable 'Spirolox'
circlip allows cleaning/user servicing

LOAD CAPACITY 1100 Kg / 2425 Lbs



ALL DIMENSIONS IN mm [inch]
IF VIEWED AS PDF, DO NOT SCALE
IF VIEWED AS DWG, SCALE 1 : 1,5
TOLERANCE \pm 0,25
QMF 31 ISSUE 01 : 22/06/2012

OMNITRACK
RODBOROUGH COURT
STROUD, GL5 3LR, ENGLAND

Telephone: +44 (0)1453 873 345
Fax: +44 (0)1453 878 500
info @ omnitrack.com
www.omnitrack.com

THIS DOCUMENT CONTAINS OMNITRACK
PROPERTY AND CONFIDENTIAL INFORMATION.
IT IS LOANED FOR LIMITED PURPOSES ONLY
AND REMAINS THE PROPERTY OF OMNITRACK.
IT MAY NOT BE REPRODUCED IN WHOLE
OR PART OR DISCLOSED TO THIRD PARTIES
WITHOUT THE PRIOR WRITTEN CONSENT OF
OMNITRACK. THE DOCUMENT IS TO BE
RETURNED TO OMNITRACK UPON REQUEST
AND IN ALL EVENTS UPON COMPLETION OF THE
USE FOR WHICH IT WAS LOANED